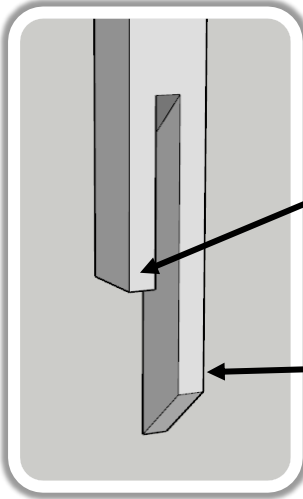




Intermediate Slotted Newel Fixing Detail

Intermediate slotted newels are used to split the raking handrail into two parts on longer flights to reduce deflection. The fixing details below show how to fix them.

1



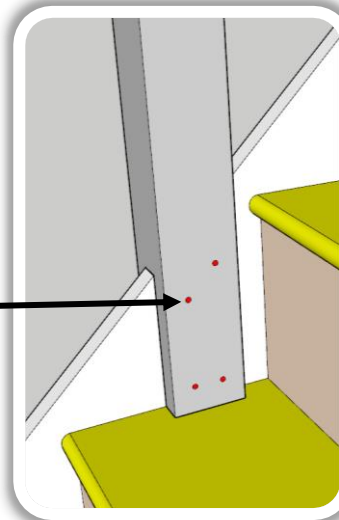
Trim the pre-slotted newel to sit on top of the tread on the inside.

Trim the outer edge level with the bottom of the string on the outside.

2

Apply PVA glue to the inside faces of the slotted post and fix the inner edge with 4No 5x75mm screws.

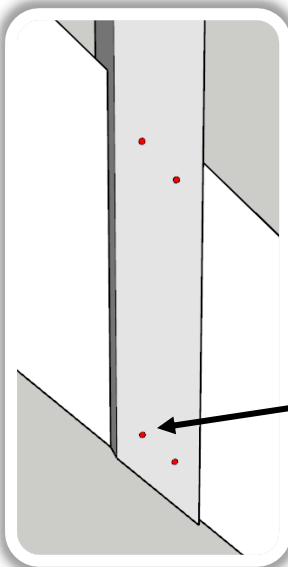
All screws should be a minimum of 25mm from edge of newel and string.



3

Fix outer edge with 2No 5x75mm screws at top and 2No 5x50mm screws at bottom.

All screws should be a minimum of 25mm from edge of newel and string.



[Click Here For More Installation Guidance](#)