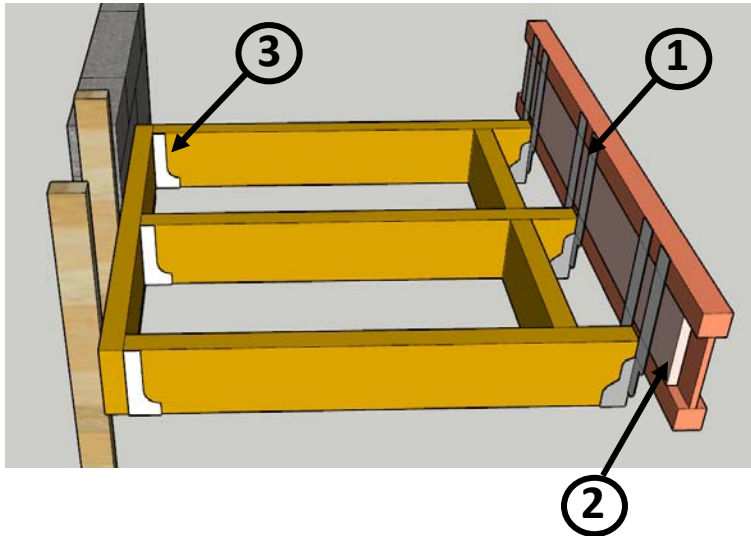
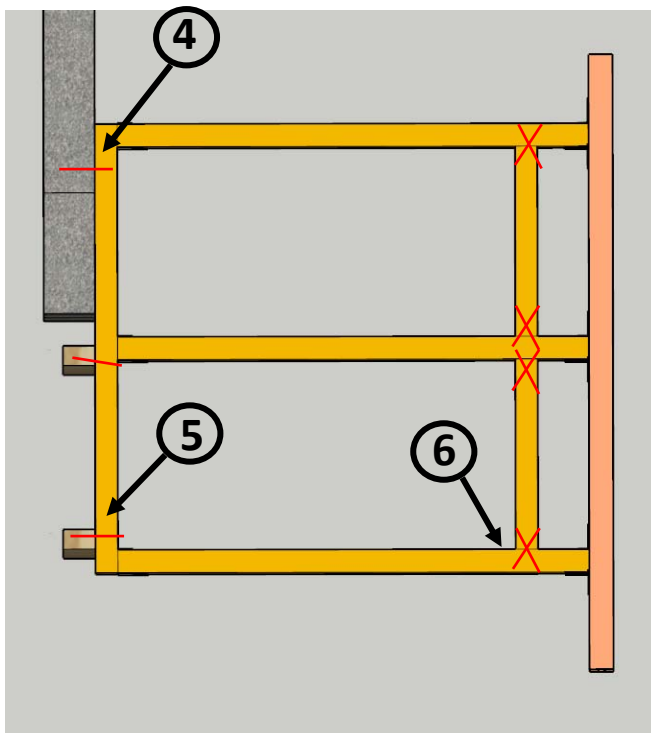


## Landing Type 1

### 1 rise down from top of stair



- 1) Cullen KHL-50 joist hanger or equivalent for connection to trimmer.
- 2) Packer required where trimmer is an I-joist.
- 3) Cullen MHI-280 joist hanger or equivalent on all joist-to-joist/ledger connections

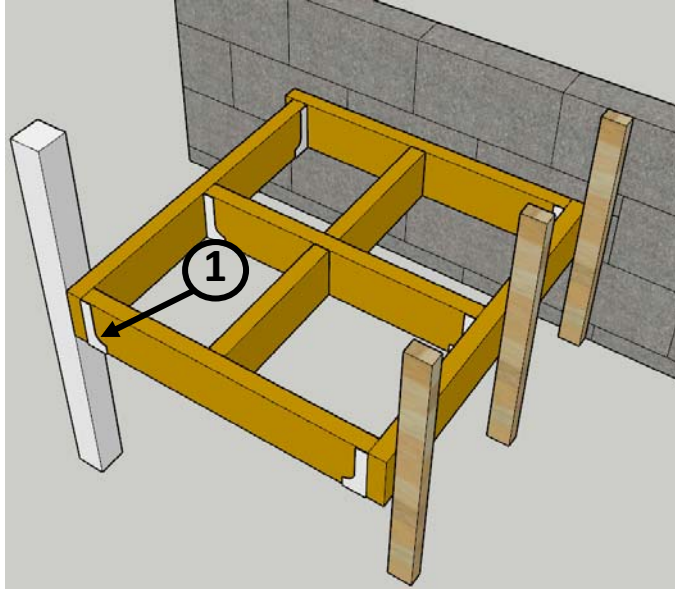


- 4) Fixings to block walls  
5x100mm screws at 300mm centres
- 5) Fixing to timber stud  
2x 5x100mm screws per stud min 50mm apart
- 6) Intermediate nogging fixings  
Tosh screw/nail from each side at each end using 5x100mm nails/screws

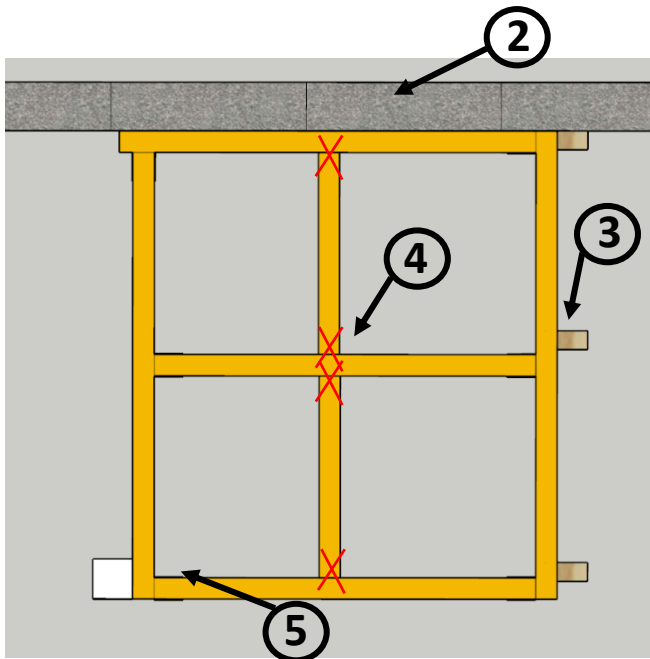
- Maximum landing size for this detail is 1200 x 1200mm.
- Joists min 45x145mm @ max 450mm centres
- Install intermediate noggings @ max 600mm centres

## Landing Type 2

### Quarter turn supported off structural newel



- 1) Cullen MHI-280 or equivalent joist hanger on all joist-to-joist/trimmer/ledger connections.

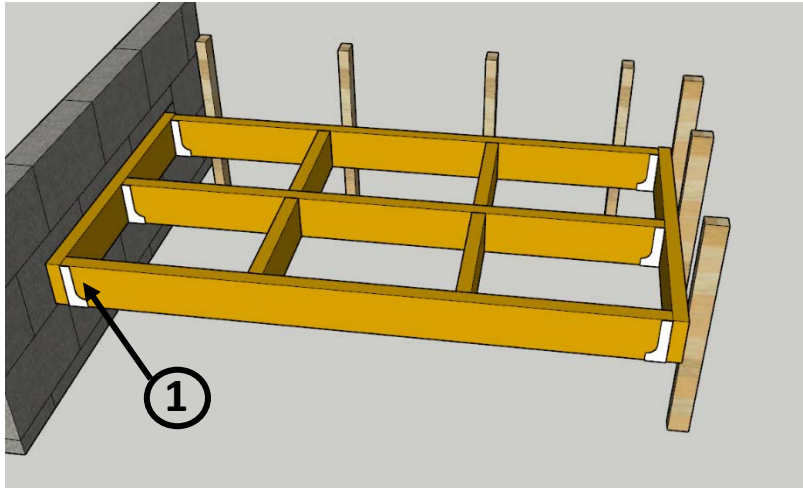


- 2) Fixings to block walls  
5x100mm screws at 300mm centres
- 3) Fixing to timber stud  
2x 5x100mm screws per stud min 50mm apart
- 4) Intermediate nogging fixings  
Tosh screw/nail from each side at each end using 5x100mm nails/screws
- 5) Joist to post connection  
3x 5x100mm screws. Min 50mm apart & staggered.

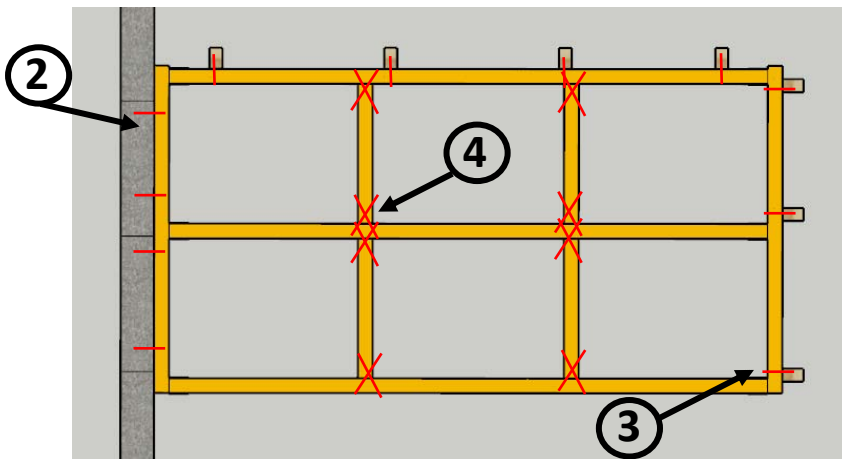
- Maximum landing size for this detail is 1200 x 1200mm.
- Joists min 45x145mm @ max 450mm centres
- Install intermediate noggings @ max 600mm centres

## Landing Type 3

### Half landing supported off structural walls



- 1) Cullen MHI-280 joist hanger or equivalent on all joist-to-joist/ledger connections



- 2) Fixings to block walls  
5x100mm screws at 300mm centres
- 3) Fixing to timber stud  
2x 5x100mm screws per stud  
50mm apart
- 4) Intermediate noggings fixings  
Tosh screw/nail from each side at each end using  
5x100mm nails/screws

- Maximum landing size for this detail is 2400 x 1200mm.
- Joists min 45x145mm @ max 450mm centres
- Install intermediate noggings @ max 600mm centres